

CERTIFICATE OF LOCATION OF GOVERNMENT CORNER

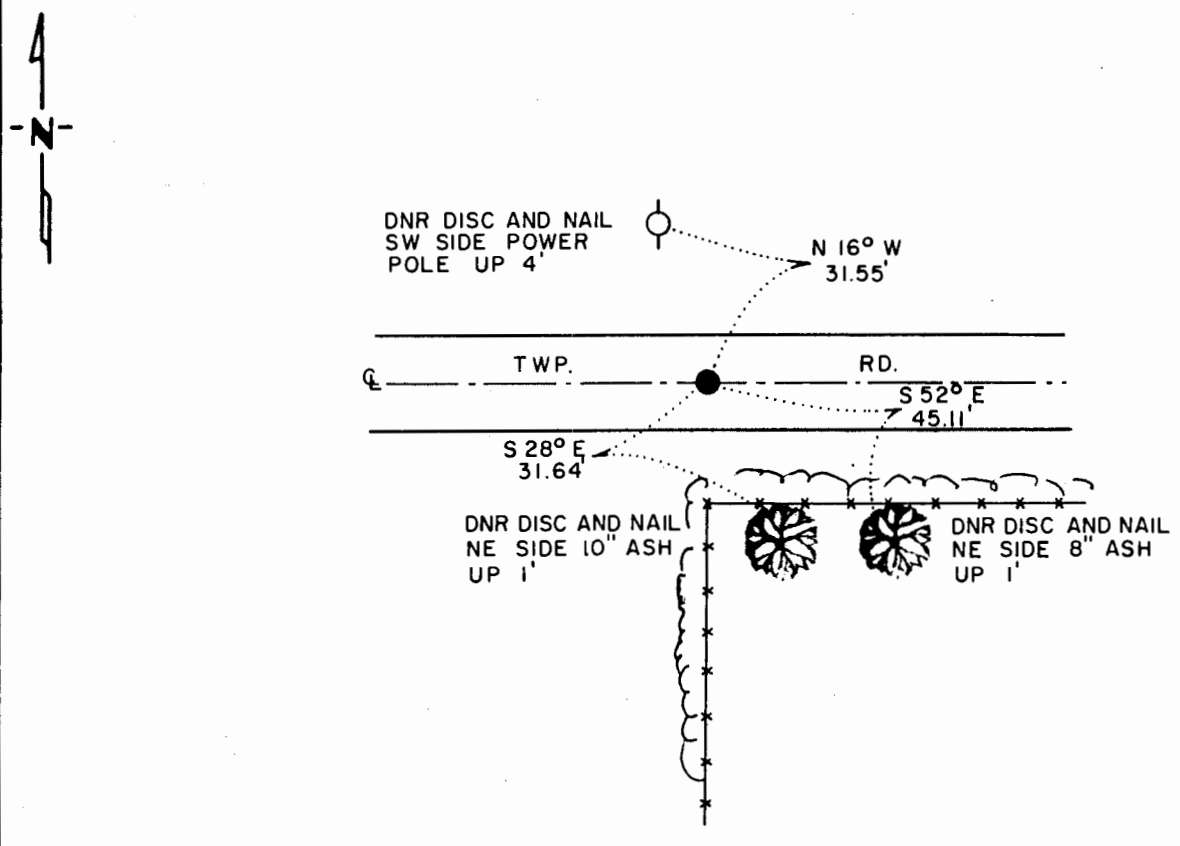
NORTH QUARTER Corner of Section 9, Township 108 N., Range 43 W., 5th P.M.

STATE OF MINNESOTA, County of MURRAY

At the corner location shown on the sketch:

- On 5-14-86 found a 6"x8"x16" STONE, DOWN 21"
DATE
- left monument as found, lowered monument, removed monument (explain)
- On 5-14-86 placed a 1 1/4"x 1 1/4"x 17" PERFORATED STEEL TUBE WITH
DATE ALUMINUM CAP STAMPED "DNR SURVEY MARKER", DOWN 0.3'

SKETCH OF REFERENCE TIES



BEARINGS OBSERVED WITH COMPASS

Statement of evidence relative to this corner location is on back of page.

J.A.G. 7-1-86
FILE G-383

I hereby certify that this document and the data contained herein was prepared by me or under my direct supervision.

Lowell R. Pommeroy Jr. 8-21-86
SIGNATURE DATE

Registration No. 17005
 Land Surveyor, Professional Engineer
 County Surveyor, County Engineer

OFFICE OF THE COUNTY RECORDER
County of _____

I hereby certify that this document was filed in the Co. Recorders office at _____ .M. on the _____ day of _____ A.D., 19 _____

County Recorder _____
By _____, Deputy
DOCUMENT NO. _____

North Quarter Corner Section 9, Township 108 North, Range 43 West

This corner was originally established by the U. S. General Land Office survey in 1866. The government notes show corner marked with a wood post set in mound of earth with pits and trench dug around the mound.

In May 1986, the DNR Bureau of Engineering contacted the Murray County Offices of the Recorder and Highway Engineer for corner information.

The following information was obtained from the County Recorder's Office: Surveyor's Record Book, on page 207, contains a survey of Section 9 by J. W. Woolstencroft, dated November 21, 1908. Survey states all corners were established. Corner measures:

2655 ft. from the northeast corner Section 9

2655 ft. from the northwest corner Section 9

No mention is made as to what was found or set at this corner.

The above information is also contained in the County Highway Engineer's Office.

On May 14, 1986, the DNR Bureau of Engineering hired a backhoe operated by Buffalo Ridge Plumbing and Heating of Ruthton to dig for evidence of this corner. Dug a 2-ft. north-south by 8-ft. east-west hole, the center at the intersection of an east-west road and fence line south. Encountered an old road bed down 18", and found a 6" by 8" by 16" stone down 21" at natural ground. Stone has crockery under it. Left everything as found, stone measures:

2653.47 ft. from the northeast corner Section 9

2653.99 ft. from the northwest corner Section 9

on center line east-west road, in line with fence south

Accept the stone as the location of the corner.

Traverse information is available from the DNR Bureau of Engineering.